

TRH-3306D / TRH-3310D

Instruction manual

Thank you for purchasing this product.

Carefully read and fully understand these instructions before using this unit.

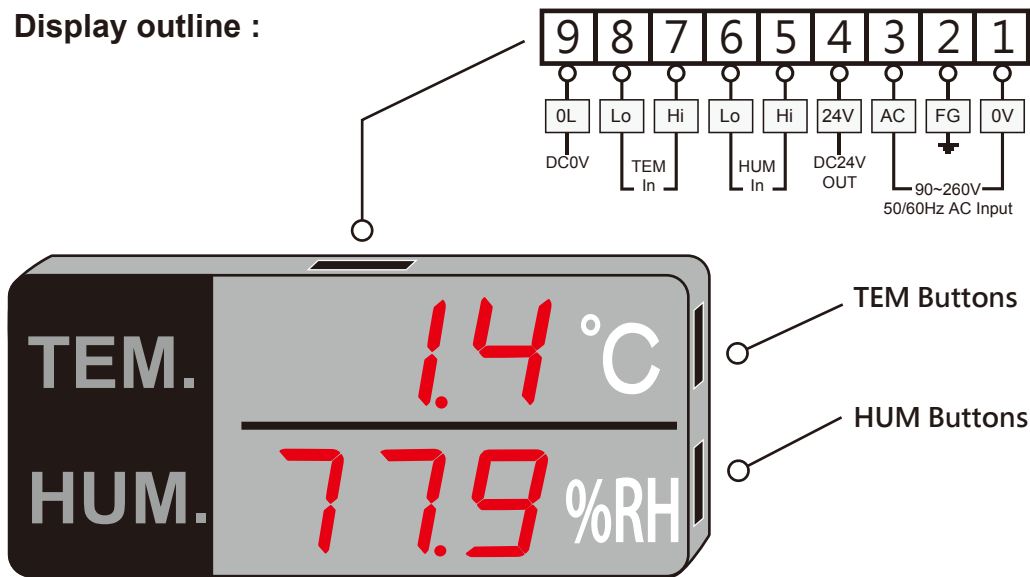
⚠ DANGER

Do not take apart, repair or modify the Unit.

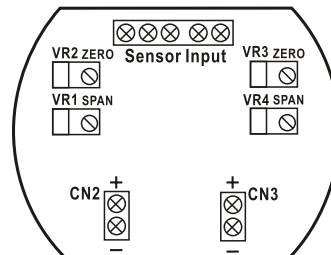
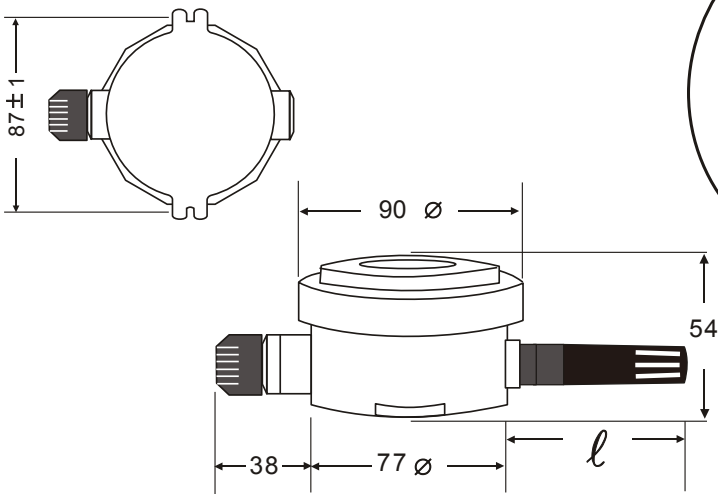
If water or a foreign object enters into the Unit or Sensor, immediately stop using.

If any smoke, strange smells or sounds are emitted from the Unit, immediately disconnect power and stop using.

Display outline :



Sensor outline :



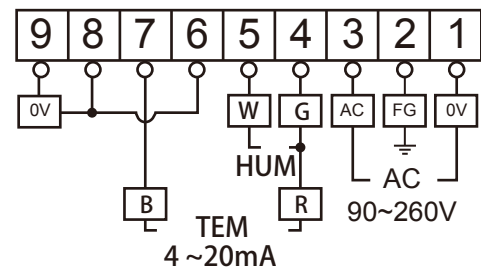
Humidity Calibration:

VR 1ZERO Humidity
VR 2SPAN Humidity

Temperature Calibration:

VR 3ZERO Temperature
VR 4SPAN Temperature

Wiring diagram

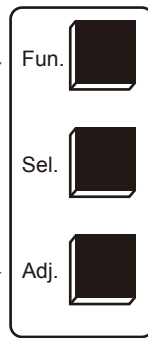


3 Buttons :

a). Function (real panel)

b). Selection

c). Adjustment



A. Function :

If need to read the original setting value, press Fun. button about 3 seconds. then enter the 1st option, if you don't want to change the figures, can see the original setting value continuously, and it will recover normal screen on 7th time .

B. Selection :

Under 'Function mode' can enter 'Adjust mode', the highest digit can start flashing, then match up Adj. button to modify numerals, then press Sel. key to move digits, the 3rd digit goes to the 2nd digit....1st digit, then come into next function/ adjustment .

C. Adjustment :

This button for being selected regulative digit, press this key can accumulate figures, till then umber you need.

Function Option

1. ■ **HS.** HS= set up to show highest value + /-00.00 ~ 99.99
2. ■ **LS.** LS= set up to show minimum value + /- 00.00 ~ 99.99
3. □ **RH.** RH= HI output set up + /- 00.00-99.99
4. □ **RL.** RH= LO output set up + /- 00.00-99.99
5. ■ **dq.** dq = decimal point sets up 4.3.2.1.
6. ■ **dt.** dt = renew time set up 0 ~ 9 second
7. ■ **oF.** OF= zero excursion numerical value sets up + /- 0.00
8. □ **bu.** bu = baud rate 0 ~ 4
9. □ **id.** id = display address 00~99