

Pen-type  
Non-contact Infrared  
Thermometer

# $\phi$ 2.5mm spot

of heat is measured.  
**Audible focussing  
guide** lets you  
know the best  
focus lighten up  
with **LED marker**.

THERMO-HUNTER  
**PT-3S**

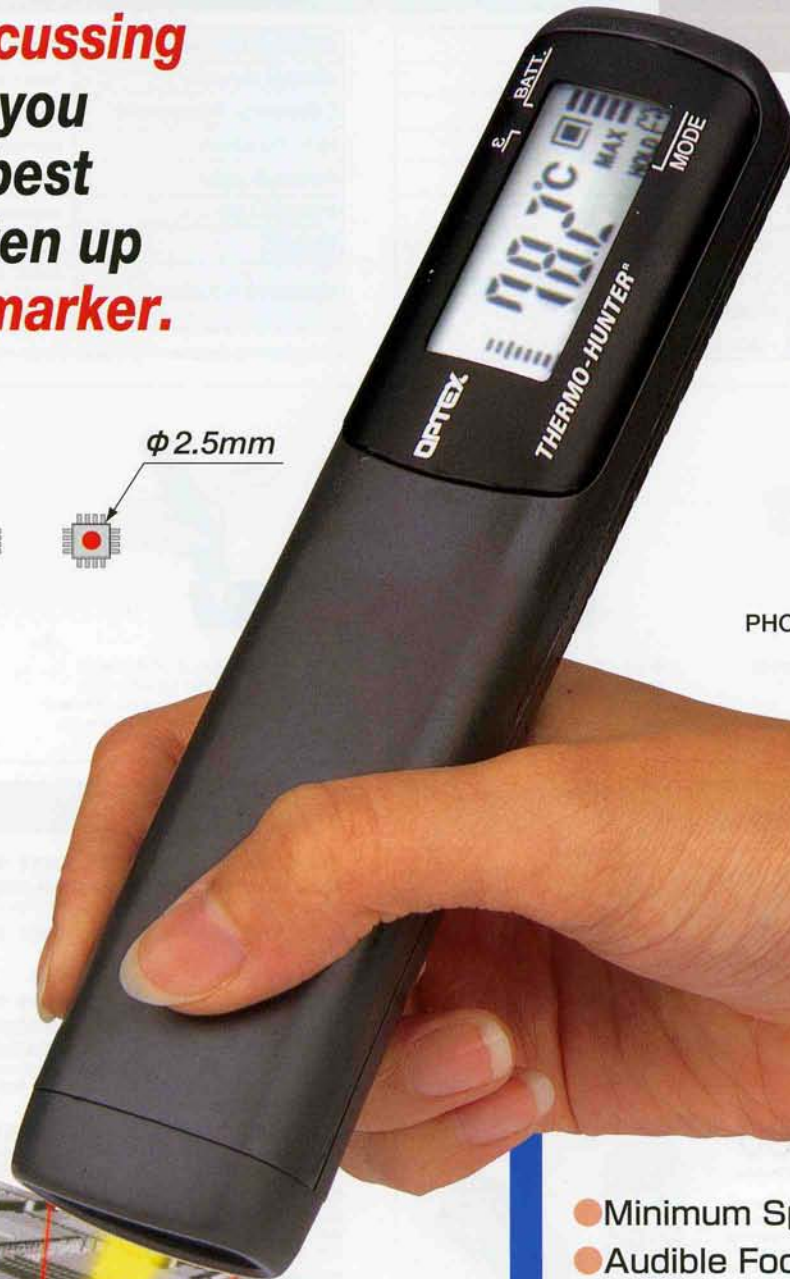
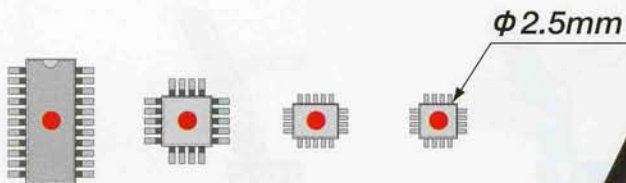


PHOTO:Actal Size

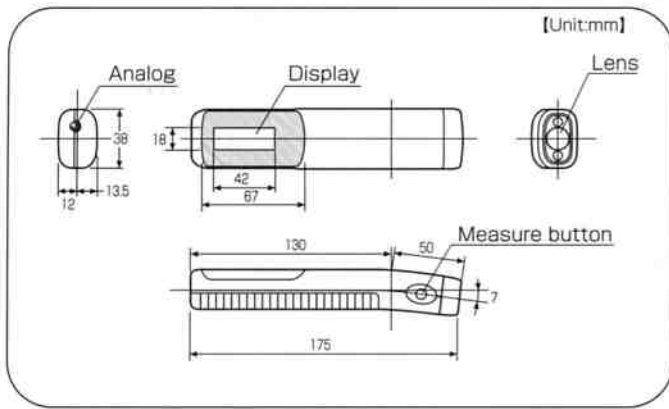
Typical Application

**Electric  
PC.Board**

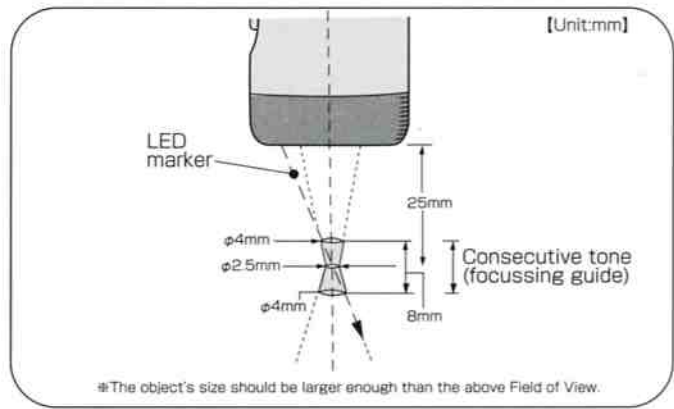
- Minimum Spot Size :  $\phi$ 2.5mm
- Audible Focussing Guide
- LED Spot Marker
- Display Range :  $-30\sim 230^{\circ}\text{C}$
- Repeatability :  $\pm 1^{\circ}\text{C}$
- Analogue Output : (1mv/ $^{\circ}\text{C}$ , $^{\circ}\text{F}$ )



## Dimensions



## Field of View



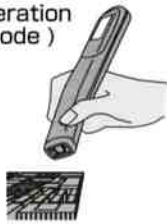
## Specifications

Model Number	PT-3S
Measuring Range	0~200°C (32~392°F)
Display Range	-30~230°C (-4~446°F)
Measuring Field Diameter	φ2.5/25mm
Spectral Response	8~14μm
Response	1.5sec
Accuracy	±3°C of reading (ε±0.95) (Ambient temp.25°C)
Repeatability	±1°C of reading (ε±0.95) (Ambient temp.25°C)
Display Resolution	0~200°C : 0.1°C/0.2°F -30~0°C, 200~230°C : 1°C/°F

Sighting Method	Red LED spot marker
Analog Output	1mV/°C(°F)
Emissivity Adjustment	Dark or Bright, Switchable
Hold Function	Normal/Max, Switchable
Power Supply	UM-4 Alkaline drycell ×3pcs
Battery Life	Approx, 40hrs.(Continuous)
Weight	120g
Standard Accessory	UM-4 Alkaline : drycell ×3pcs Analogue output cable ×1 pouch ×1

\*Specifications are subject to change without prior notice for improvement.

### Easy operation (1 shot mode)



1 Press the Measure button to turn on the power.



2 Bring PT-3S close to the object with pressing the button for measurement. Consecutive tone guides you to optimum focus and distance.



3 The best focus of φ2.5mm spot is lighted up with LED when the marker looks clearest in the measuring distance of 25mm.



4 The display is held by releasing the button.

## Option

### Flexible Stand S-01



### Black Tape HB-100

[Basic Usage and Principles]

The Black Tape (HB-100) can be applied to any object, letting you easily and correctly measure the temperature of any object. When measuring objects with manual emissivity settings, use the black tape and adjust the emissivity ratio of the model to 0.95. The Black Tape (HB-100) can endure temperatures up to 150°C.



## Caution

**KEEP THE THERMOMETER AWAY FROM DIRECT SUNSHINE, DUST, HIGH TEMPERATURE, AND HIGH HUMIDITY WHEN USE AND STOCK:** Optical lens will become contaminated or be damaged.

**KEEP THE THERMOMETER AWAY FROM THE WATER. DO NOT USE IN THE WATER.**

This thermometer is not water-resistant.

**KEEP THE THERMOMETER AWAY FROM THE PRODUCTS WHICH PRODUCE STRONG ELECTROMAGNETIC WAVES. AVOID SUDDEN CHANGE OF AMBIENT TEMPERATURE.**

Fluctuation of ambient temperature may cause wrong measuring results. In such a case, leave the thermometer for some time to make it into stable condition prior to next measurement.

**NEVER CONTACT THE THERMOMETER WITH MEASURED OBJECTS.** This thermometer is non-contact type. If you contact it with heated objects, it may result in wrong measuring results or fatal defects which cannot be repaired.

**DO NOT TOUCH OPTICAL LENS.**

Optical lens on the thermometer is made by silicon, so it is easily damaged. Be sure to keep optical lens away from hard or sharp objects. Do not put something into a lens hollow.

**DO NOT DROP THE THERMOMETER OR APPLY VIOLENT SHOCKS. KEEP THE THERMOMETER AWAY FROM ELECTRICALLY CHARGED OBJECTS.**

## 泰菱有限公司

台北市110崇德街31巷5弄13號1樓  
TEL:(02)2737-5866 FAX:(02)2737-3343  
http://www.oka.com.tw http://www.tecpel.com.tw  
E-mail:sales@tecpel.com



OPTEX CO.,LTD (ISO 9001 Certified by LRQA)  
4-7-5 Nionohama Otsu 520-0801 Japan  
TEL+81(77)524-6049 FAX+81(77)524-1491

TECPEL®  
電子儀器